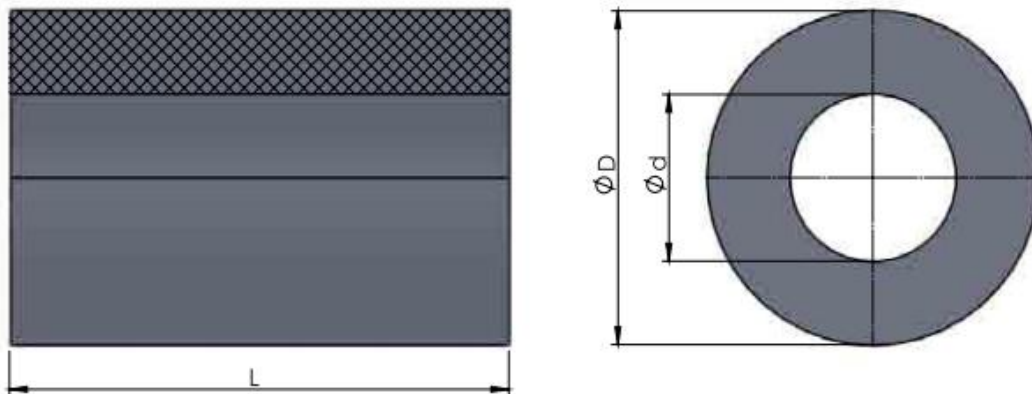


Cylindrical fender

Cylindrical rubber fender Description:

Cylindrical fender is a very simple type fender used for all kinds of vessels. It is easy to install and maintenance. normally installed in quay by chain, bars, anchor and brackets. The outer diameter up to 2000mm, the inner diameter ranges from 75mm to 1000mm. This cylindrical fender is applicable for lengthways and lateral movement.

Cylindrical rubber fender specification&dimension:



Serial No.	Nominal size			Performance values at 50% deflection	
	Outer Diameter ΦD (mm)	Inner diameter Φd (mm)	Length L (mm)	Energy absorption (KN-m)	Reaction force (KN)
WF-C150	150	75	500-30000	1.5	44
WF-C200	200	100		2.6	60
WF-C250	250	125		4	75
WF-C300	300	150		6	89
WF-C350	350	175		8	104
WF-C400	400	200		10	119
WF-C500	500	250		16	148
WF-C600	600	300		24	179
WF-C700	700	350		31	208
WF-C800	800	400		41	237
WF-C900	900	450		52	268

WF-C1000	1000	500	1000-2000	64	297
WF-C1100	1100	550		77	331
WF-C1200	1200	600		95	363
WF-C1300	1300	650		108	392
WF-C1400	1400	700		128	422
WF-C1500	1500	750		147	451
WF-C1600	1600	800		176	481
WF-C1800	1800	900		247	541
WF-C2000	2000	1000		321	653